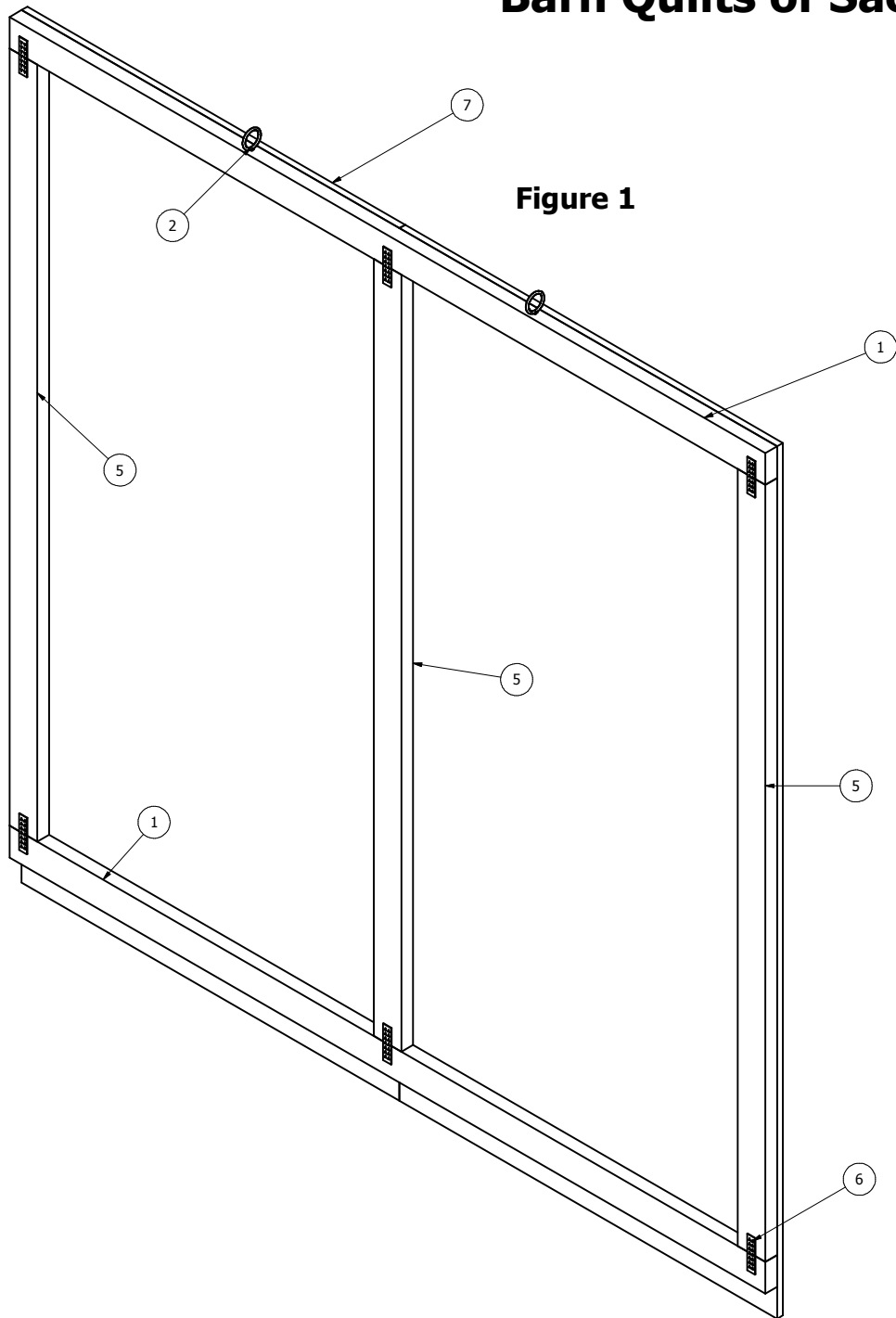


Barn Quilts of Sac County

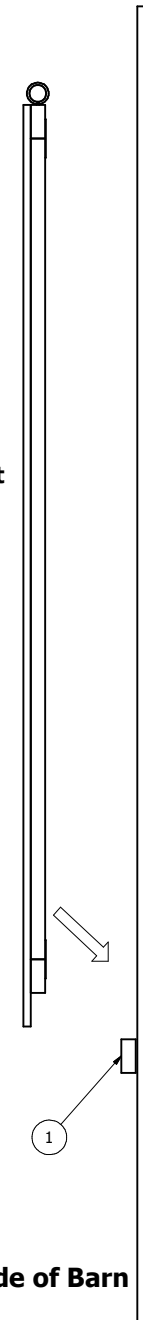
Figure 2

Figure 1



Assembled Barn Quilt

Side of Barn



Parts List			
ITEM	QTY	PART NUMBER	DESCRIPTION
1	3	Horizontal 2 X 4	96" Long
2	2	Eyebolt with Nut and Washer	5/16" X 4"
5	3	Vertical 2 X 4	85 1/2" Long
6	6	Connector Plate	
7	2	4' X 8' Plywood	3/4" thickness